

DC Signal Isolation

- ISD-IS signal isolator provides isolated distribution power for the field transmitter, isolates the current or voltage signal by the transmitter and transmit the signal to the control room PLC DSC etc.
- Built-in high-efficiency filter circuit, the whole process of high temperature aging, temperature drift test, more reliable.
- The input, output and power supply are isolated from each other, and the anti-interference core board has stronger anti- interference ability; there are heat dissipation holes on both sides, heat dissipation.



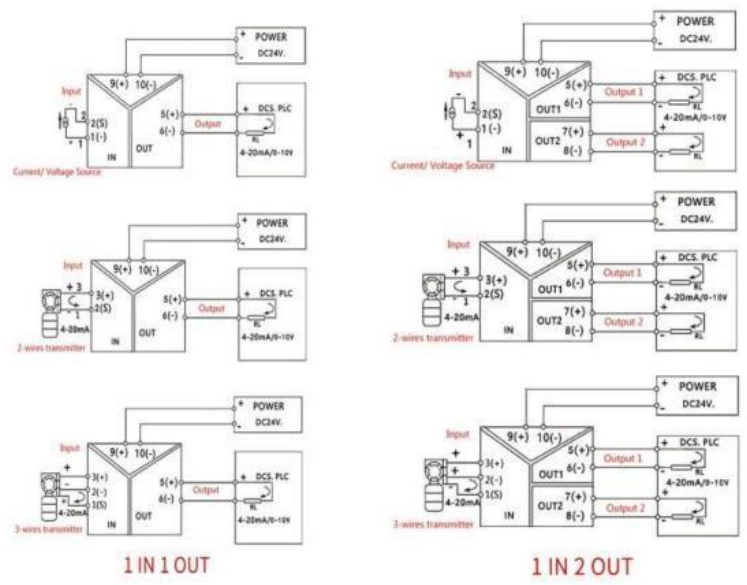
Parameter

Model: ISD-IS
Input signal: 4-20mA; 0-20mA; 0-5V; 0-10V; etc
Input burden: Current model: <100Q Voltage model: >300KQ
Output signal: 4-20mA; 0-20mA; 0-5V; 0-10V cte
Output load resistance: $RL < 500\Omega$ (output current signal)
$RL > 10K\Omega$ (output voltage signal)
Output ripple: <0.5%
Accuracy: 0.1%F.S.
Response time: <10ms
Temperature drift: 0.005%F.S. /C (-20°C ~ +55°C)
Isolation intensity: 2000V AC/1 min (between input-output-power)
Isolation resistance: >100MQ(DC500V)
Overload capacity: withstand double rating(successive), 10 times rating(10s)
Working temperature & humidity: 20°C~+55°C/<80% humidity
Storage temperature & humidity: -20°C~+70°C/< 70%humidity
EMC: Complies with GB/T 18268(IEC61326-1)
Applicable equipment: Current source, 2-wire or 3-wire transmitter

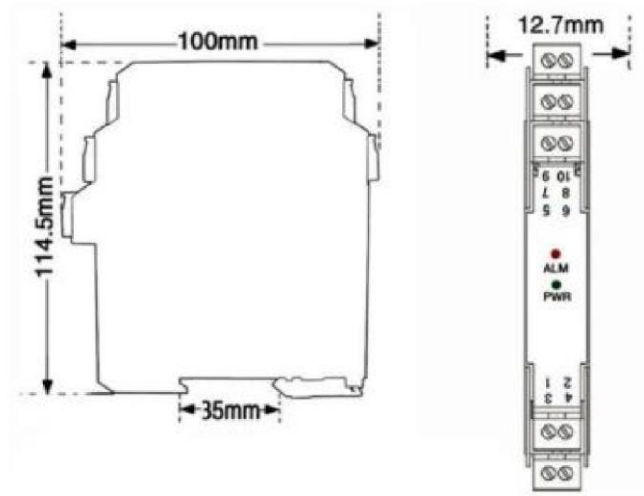
Selection

Model		ISD-IS	
Channel Configuration	C1		1 IN 1 OUT
	C2		1 IN 2 OUT
Input signal	I1		4-20mA
	I2		0-20mA
	I3		0-5V
	I4		0-10V
	I5		customizable
Output signal	O1		4-20mA
	O2		0-20mA
	O3		0-5V
	O4		0-10V
	O5		customizable
Power supply	P1		12VDC
	P2		24VDC
	P3		customizable

Wiring Diagram



Product Size



Feature

Current source, 2-wires or 3-wires transmitter.
 Input, output and power supply highly isolated with each. High precision high linearity, Strong anti-interference ability. Full channel configuration, Parameters customization.
 Standard 35mm DIN rail independent mounting, terminals plugable.

CONTACT US

AUTOMATION SYSTEMS & SOLUTION

Address: T-12, 3rd Floor, Pankaj Central Market,

I.P. Extension, Patparganj, **Delhi – 110092** 📞

Tel: +91 11 41709077 / 22232187

Email: infoautomation18@gmail.com

Website: www.automationsystem.in